

## FROMM FV300-50 Semi Automatic Orbital Wrapping Machine

The FROMM FV300-50 Semi Automatic Orbital Wrapping Machine is perfect for wrapping long products (min. 250mm) through it's 500mm diameter ring. Ideal for pipes, tubes or rods.

Extremely low maintenance, the FROMM FV range is exceptionally easy to install and operate - Plug and play, no fuss.

Backed up by FROMM Packaging Australia, rent or purchase options, the FV300-50 delivers for the Australian industry. All equipment is supported by our on-site mobile service team and spare parts are readily available.

### Orbital Wrapping Film

For optimal wrapping efficiency we recommend our range of Orbital wrapping film.

Talk to our friendly staff today!

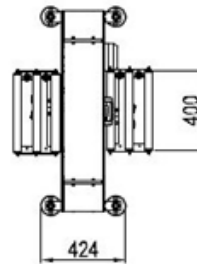
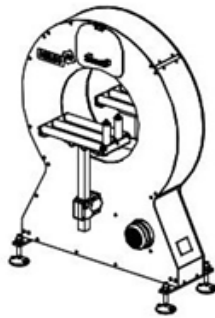
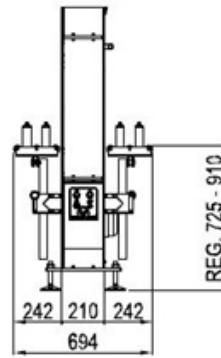
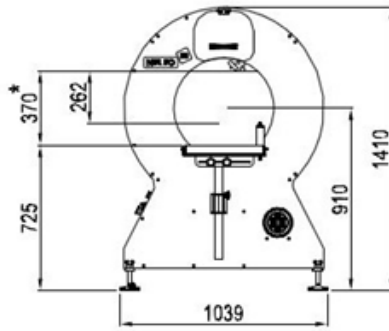


### ★ Features

- Double reel film dispensers
- Adjustable speed (RPM)
- Mechanical film break
- Manual start by foot switch
- Easy to use
- Infeed and outfeed conveyors available
- Top pressers available to hold load in wrapping cycle

### + Benefits

- High speed throughput
- Easily accommodates different products
- Plug and play technology
- Fast roll changes
- Lots of optional extras
- FROMM 2 year warranty



## ★ Technical Specifications

### Ring:

Diameter (mm):	500
Max. rotating speed (RPM):	150

### Product Size:

Max. product size (mm):	H 360, W 340
Min. product size (mm):	H 50, W 50
Max. product length:	No limit
Min. product length (mm):	250 or 150 with short products bridge
Max. weight (kg)	Dependent on conveyors

### Film Specification:

Width (mm):	100
Thickness (um):	17 - 30

### Power Supply:

240V, Single Phase, 50 Hz	
Air supply needed:	6 bars

### Power Consumption:

Power consumption approx. (kW):	0.26
---------------------------------	------

### Air Consumption:

3L / cycle

### Machine Options:

Conveyors - infeed and outfeed  
 Automatic film cut and clamp  
 Top pressers  
 Bridge for short products  
 Safety system