

FCE 2010

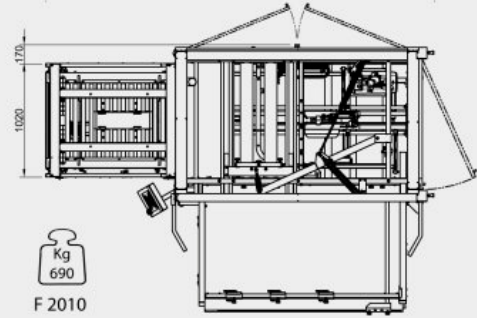
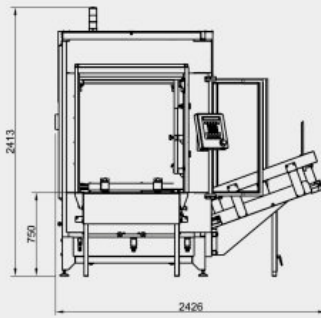
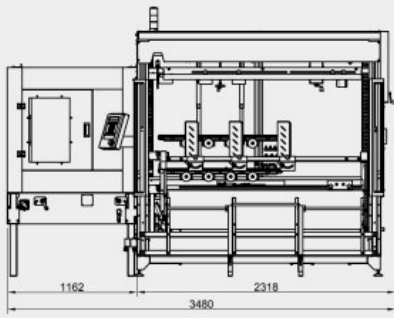
AUTOMATIC CARTON ERECTOR
for Extra Large Cartons



Efficient, durable and versatile

The FCE 2010 carton erecting machine builds and bottom seals empty cartons, before sending them to the packing station.

Capable of building up to 550 boxes an hour.

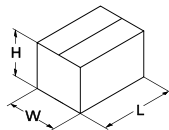


CARTON DIMENSIONS

LENGTH: 350mm - 1000mm

WIDTH: 150mm - 650mm

HEIGHT: 300mm - 650mm



PRODUCTION

AVERAGE PRODUCTION: 550 boxes/hour

BOX TRANSFER SPEED: 22 metres/minute

BOX LOADER UNIT CAPACITY: 110 boxes

OPTIONS

- CAR 2001 Motorised box loader with capacity of 270 boxes

RECOMMENDED ADD-ON

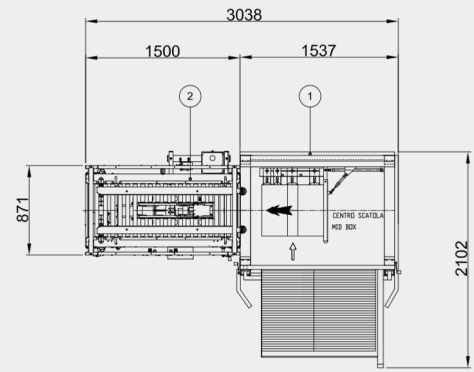
FCS Conveyor system - free rolling conveyor belt up to 4500mm in length. Moves cartons seamlessly into the packaging station after sealing.

TECHNICAL SPECIFICATIONS

Power supply	Three phase/ single phase
Power	1Kw
Venturi vacuum unit	25m ³ /h 700mm HG
Pneumatics	7 bar
Air consumption cycle box	24nl
Weight	690 Kg
Control panel	PLC touch screen



SEALING OPTIONS



PACKAGING TAPE - FCS B52 CARTON SEALER



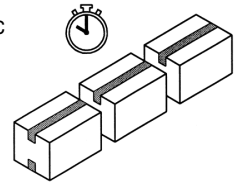
Capable of sealing 1000 boxes per hour, the FCS B52 carton sealer compliments and completes the work of the FCE 2000. After the carton has been built, the FCS 52 bottom seals the carton preparing it for filling.

TRANSFER SPEED: 27 metres/ minute

TAPE: Adhesive rubber or acrylic

MACHINE WEIGHT: 85Kg

WORKING HEIGHT: 650mm



WATER ACTIVATED TAPE - FCS B520 - GP CARTON SEALER

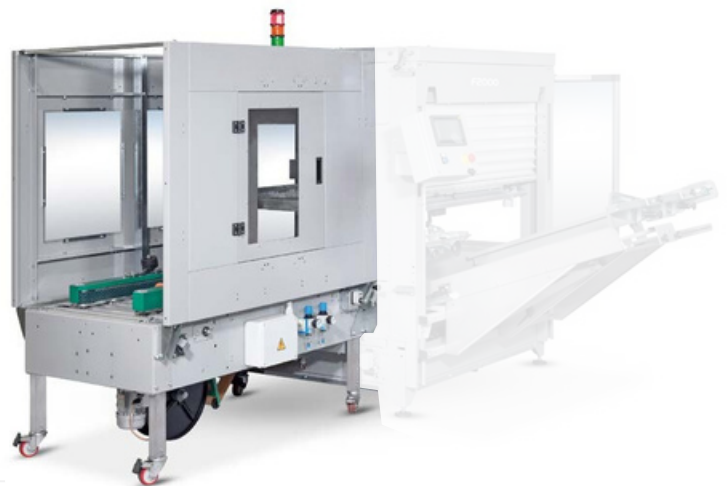
Featuring a taping head with an autonomous water tank for normal and reinforced gummed paper tape

AVERAGE PRODUCTION: 420 boxes/hour

BOX TRANSFER SPEED: 18 metres/minute

BOX LOADER UNIT CAPACITY: 110 boxes

*When using water activated tape, technical specifications should be reaffirmed



HOT MELT - USING HOT MELT GLUE TO SEAL CARTONS

Featuring a heated glue gun, the sealer melts sticks of glue and applies them to the box flaps. The glue then cools and hardens, creating a secure seal.

*When using hot melt, technical specifications should be reaffirmed.

FROMM | PACKAGING AUSTRALIA

www.fromm-pack.com.au | 1800 940 356 | info@fromm-pack.com.au