

FROMM A452 Pneumatic Powered Steel Tensioning Tool

The FROMM A452 is the ideal pneumatic steel tensioning tool for round packages. Robust, reliable, simple & cost effective, the A452 is ideally used to tension the strap on any package with a round or small surface area.

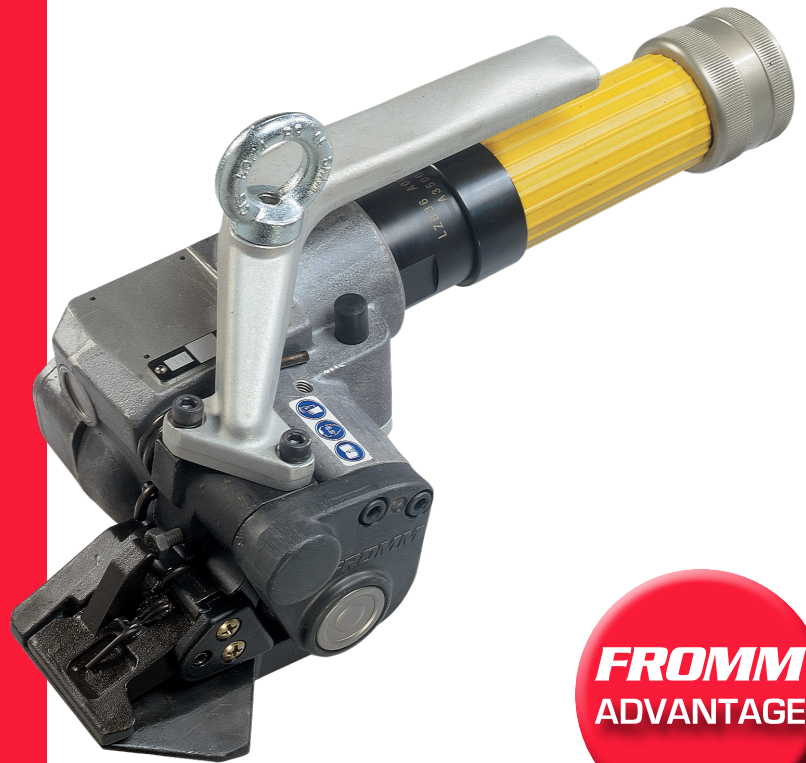
Boasting FROMM's superior tensioning force, the A452 has become a proven performer when strapping bars, bundles, pipes and coils.

If you need to strap heavy duty, rounded packages, the A452 is the tool of choice. Used with the FROMM A461 steel sealing tool.

All equipment is supported by our on-site mobile service team and spare parts are readily available.

Steel Strap

For optimal strapping efficiency we recommend our range of Steel strapping. Talk to our friendly staff today!



FROMM
ADVANTAGE

← →
19-32mm

8500 N

Metal
Seals

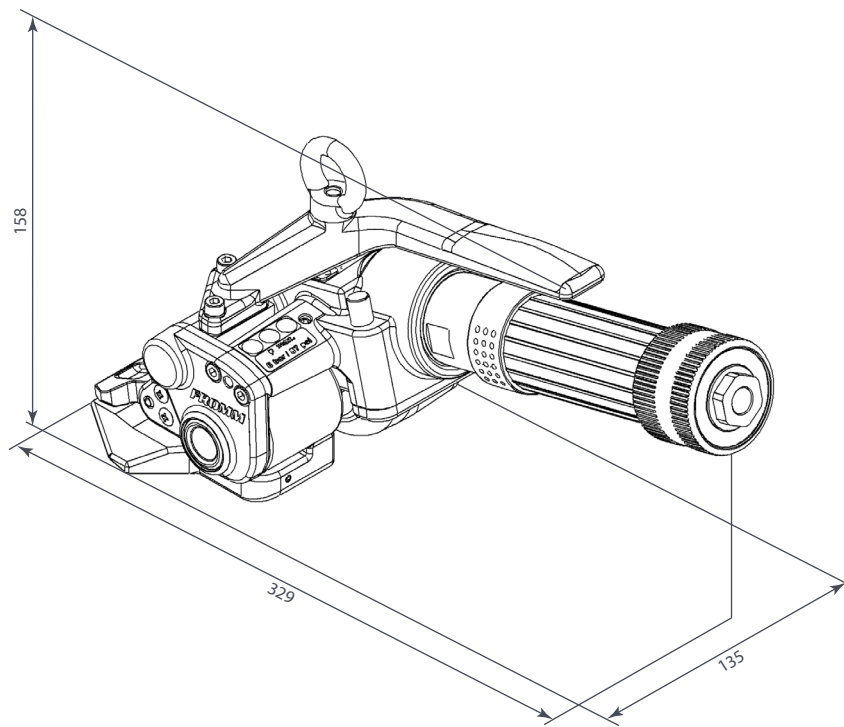
Air

★ Features

- Tensioning tool
- Lightweight
- Used with A461 sealing tool

+ Benefits

- Ideal for small surfaces
- Ideal for confined environment
- Robust and reliable
- Long life wear parts
- FROMM 2 year warranty



★ Technical Specifications

Tensioning:

| | |
|--------------------------|------|
| Strap Tension (N): | 8500 |
| Tensioning Speed (mm/s): | 150 |

Tool Size (without suspension bracket):

| | |
|--------------|------|
| Length (mm): | 329 |
| Width (mm): | 135 |
| Height (mm): | 158 |
| Weight (kg): | 4.35 |

Sealing Type:

Used with A461 sealing tool

Strap Specification:

| | |
|-----------------|-----------|
| Width (mm): | 19-32 |
| Thickness (mm): | 0.63-1.27 |

Power Supply:

| | |
|--------------------------|----|
| Pneumatic power | |
| Max. Air Pressure (bar): | 6 |
| Max. PSI: | 87 |

Air Consumption:

14.5 NI uncompressed air/sec
Max. pressure drop of 0.5 bar/7.25 psi

Operating Conditions:

| | |
|-------------------------|-----------|
| Temperature range (°C): | -10 - +45 |
|-------------------------|-----------|

FROMM | PACKAGING
AUSTRALIA

Australia Wide

T 1800 023 890

E info@fromm-pack.com.au

W www.fromm-pack.com.au