

## FROMM P358 Pneumatic Powered Plastic Strapping Tool

The new FROMM P358 Pneumatic Strapping Tool is suitable for PP and PET strap applications. It features ergonomically positioned control buttons, allowing for one hand operation.

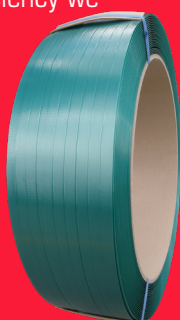
The P358 Pneumatic Strapping Tool is designed for use in vertical and horizontal strapping applications. You can select manual or automatic operation mode and after setting the right tension force and welding/cooling time it can be locked for a consistent strapping result.

The FROMM P358 Strap Tool is best suited to high volume strapping environments, as it operates continuously without the need to be recharged.

The P358 robust and durable design, with minimal wearing parts is a great addition to any industrial warehouse or factory.

### Polyester (PET) Strap

For optimal strapping efficiency we recommend our range of Star Strap-Plus Plastic strap. Talk to our friendly staff today!



**FROMM**  
ADVANTAGE

← →  
16-19mm

4000 N

Friction  
Weld

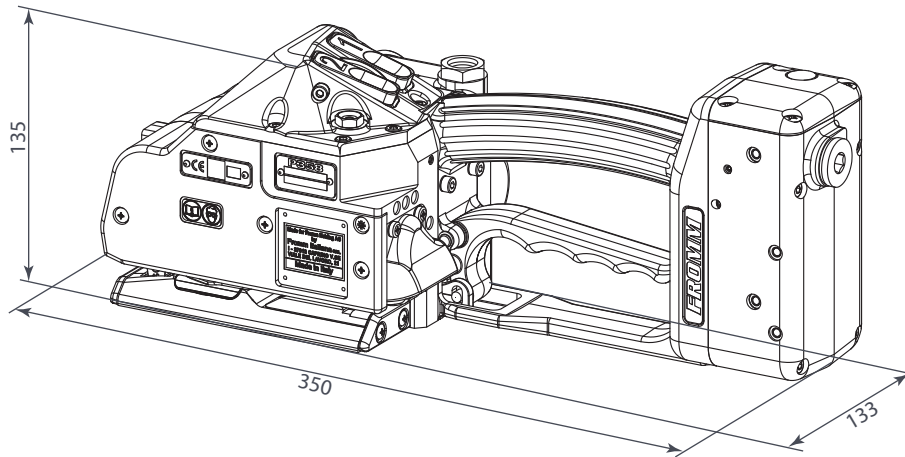
Air

### ★ Features

- Easily operate the tool in Manual or Automatic mode
- Display cooling time
- Ergonomically positioned control buttons, easier to use
- Single hand operation with thinner grip handle
- Tension wheel has been raised providing better balance
- Easy strap threading – both straps are inserted together
- Easy adjust seal time

### + Benefits

- No batteries – operates continuously without the need to be recharged
- Robust with minimal wearing parts
- FROMM 2 year warranty



## ★ Technical Specifications

### Tensioning:

Strap Tension (N):	1000-2300
Tensioning Speed (mm/s):	115
Strap Tension, High Tension Tool, (N):	1900-4000
Tensioning Speed, High Tension Tool, (mm/s):	70
Joint Strength, approx. (%):	75

### Tool Size (without suspension bracket):

Length (mm):	350
Width (mm):	133
Height (mm):	135
Weight (kg):	5.7

### Sealing Type:

Friction weld

### Strap Specification:

Width (mm):	16-19
Thickness (mm):	0.65-1.35

### Power Supply:

Pneumatic power	
Max. Air Pressure (bar):	5.5-6.0
Max. PSI:	80-87

### Air Consumption:

100Nl/min
Max. pressure drop of 0.5 bar/7.25 psi

### Operating Conditions:

Temperature range (°C):	-10 - +45
-------------------------	-----------

**FROMM** | PACKAGING  
AUSTRALIA

Australia Wide

T 1800 023 890

E info@fromm-pack.com.au

W www.fromm-pack.com.au