

FROMM FV300-125 Semi Automatic Orbital Wrapping Machine

The FROMM FV300-125 Semi Automatic Orbital Wrapping Machine is perfect for wrapping long products (min. 600mm) through it's 1250mm diameter ring. Ideal for pipes, tubes or rods.

Extremely low maintenance, the FROMM FV range is exceptionally easy to install & operate - Plug and play, no fuss.

Backed up by FROMM Packaging Australia, rent or purchase options, the FV300-125 delivers for the Australian industry. All equipment is supported by our on-site mobile service team and spare parts are readily available.

Orbital Wrapping Film

For optimal wrapping efficiency we recommend our range of Orbital wrapping film.

Talk to our friendly staff today!

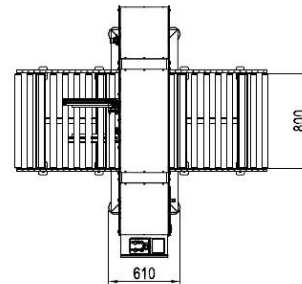
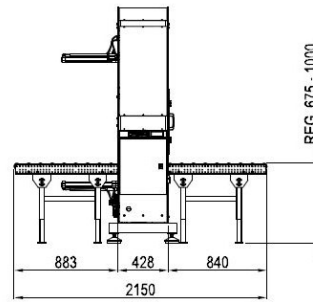
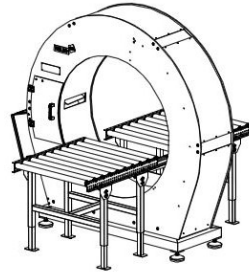
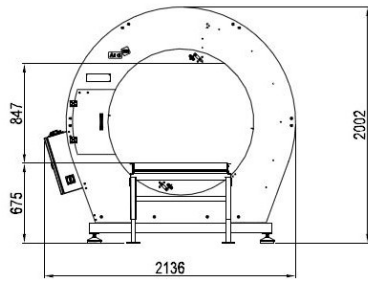


★ Features

- Double reel film dispensers
- Adjustable speed (RPM)
- Mechanical film break
- Manual start by foot switch
- Easy to use
- Infeed and outfeed conveyors available
- Top pressers available to hold load in wrapping cycle

+ Benefits

- High speed throughput
- Easily accommodates different products
- Plug and play technology
- Fast roll changes
- Lots of optional extras
- FROMM 2 year warranty



★ Technical Specifications

Ring:

Diameter (mm):	1250
Max. rotating speed (RPM):	65

Product Size:

Max. product size (mm):	H 850, W 1240
Min. product size (mm):	H 300, W 300
Max. product length:	No limit
Min. product length (mm):	600 or 400 with short products bridge
Max. weight (kg)	Dependent on conveyors

Film Specification:

Width (mm):	100, 166, 250
Thickness (um):	20 - 50

Power Supply:

240V, Single Phase, 50 Hz	
Air supply needed:	6 bars

Power Consumption:

Power consumption approx. (kW):	0.48
---------------------------------	------

Air Consumption:

24L / cycle

Machine Options:

Conveyors - infeed and outfeed
 Automatic film cut and clamp
 Top pressers
 Bridge for short products
 Safety system