

FROMM FSM-35 Semi Automatic Strapping Machine

The new FROMM FSM-35 Semi-Automatic Strapping Machine is easy to use and reliable. The FSM-35 Strapping Machine is designed for Polypropylene (PP) Strap 8mm to 12mm in width.

Featuring a rugged steel construction which is designed for round-the-clock operation, the FSM-35 Strapping Machine is one of the most durable and reliable Strapping Machines on the market.

Catering to a variety of box sizes, the FSM-35 can quickly strap your boxes efficiently for transport.

Polypropylene (PP) Strap

For optimal strapping efficiency we recommend our range of Polypropylene machine strap. Talk to our friendly staff today!



← →
8-12mm

7-45 kg

Auto
Start

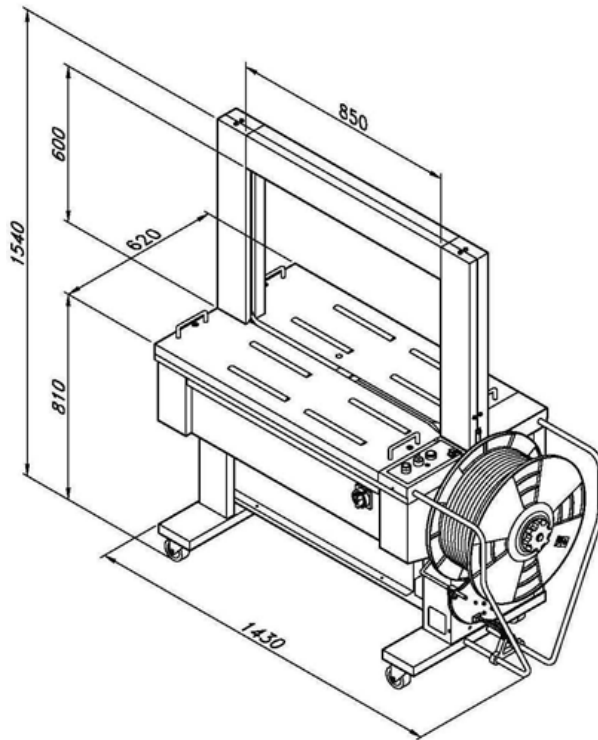
240 V


★ Features

- High speed strapping
- Automatic strap threading
- Anti Jam Feature
- Table top strap start sensor or foot pedal start
- Mobile on wheels with brakes
- Electronic tension adjuster

+ Benefits

- Easy to use
- Automatic strap feeding - saving you time!
- Easily adjust tension with the turn of a dial
- A special release function automatically releases the strap and stops jamming
- FROMM 2 year warranty



★ Technical Specifications

Capacity:

Single strap, seconds/strap up to: 2

Bundles:

Min. Width (mm): 130
 Min. Height (mm): 20
 Arch Size W x H (mm): 850 x 600
 Max. Weight (kg): 100

Strap Tension:

Adjustable
 Max. Tension at bundle (kg): 45

Strapping Material:

Polypropylene
 Width (mm): 8 - 12
 Thickness (mm): 0.55 - 0.75

Sealing Method:

Heat seal

Power Supply:

240V, Single Phase, 50 Hz

Power Consumption:

Power consumption approx. (kW): 0.5

Weight:

Total weight approx. (kg): 220

Operating Conditions:

Temperature range (°C): 0 - 40

FROMM | PACKAGING AUSTRALIA

Australia Wide

T 1800 023 890

E info@fromm-pack.com.au

W www.fromm-pack.com.au