

FCE 1000

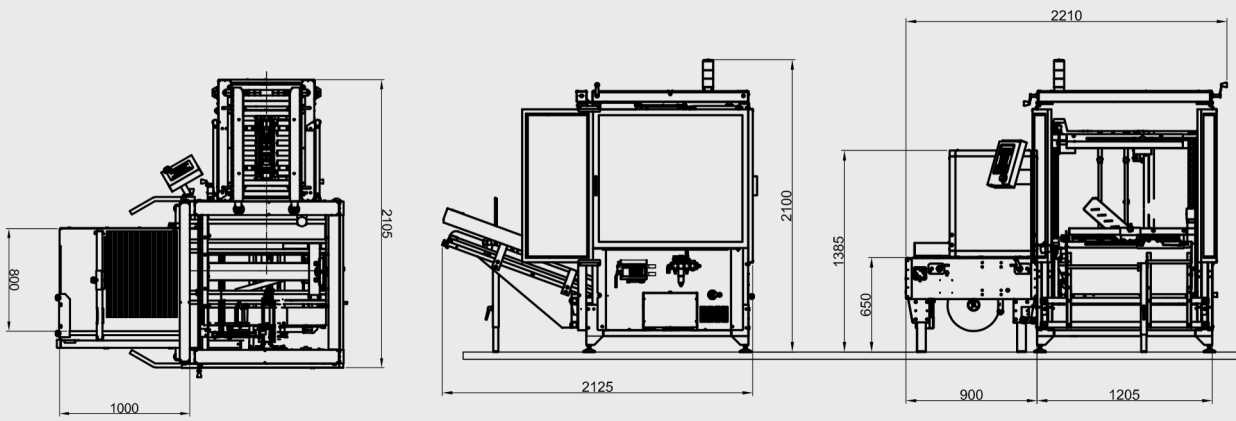
AUTOMATIC CARTON ERECTOR
for Small Cartons



High speed, versatile and reliable

The FCE 1000 carton erecting machine builds and bottom seals empty cartons, before sending them to the packing station.

Capable of building up to 840 boxes an hour.

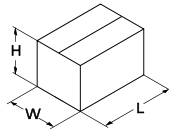


CARTON DIMENSIONS

LENGTH: 180mm - 400mm

WIDTH: 100mm - 400mm

HEIGHT: 100mm - 500mm



PRODUCTION

AVERAGE PRODUCTION: 840 boxes/hour

BOX TRANSFER SPEED: 22 metres/minute

BOX LOADER UNIT CAPACITY: 110 boxes

OPTIONS

- Caster wheels for minimum working table height 750mm
- CAR 2001 Motorised box loader with capacity of 270 boxes

RECOMMENDED ADD-ON

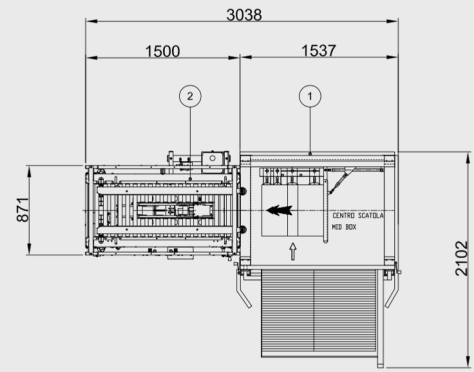
FCS Conveyor system - free rolling conveyor belt up to 4500mm in length. Moves cartons seamlessly into the packaging station after sealing.

TECHNICAL SPECIFICATIONS

Power supply	Three phase/ single phase
Power	0, 40Kw
Venturi vacuum unit	25m ³ /h 700mm HG
Pneumatics	6 bar
Air consumption cycle box	22nl
Weight	510 Kg
Control panel	Siemens



SEALING OPTIONS



PACKAGING TAPE - FCS B52 CARTON SEALER



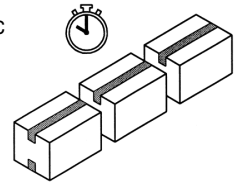
Capable of sealing 1000 boxes per hour, the FCS B52 carton sealer compliments and completes the work of the FCE 2000. After the carton has been built, the FCS 52 bottom seals the carton preparing it for filling.

TRANSFER SPEED: 27 metres/ minute

TAPE: Adhesive rubber or acrylic

MACHINE WEIGHT: 85Kg

WORKING HEIGHT: 650mm



WATER ACTIVATED TAPE - FCS B520 - GP CARTON SEALER

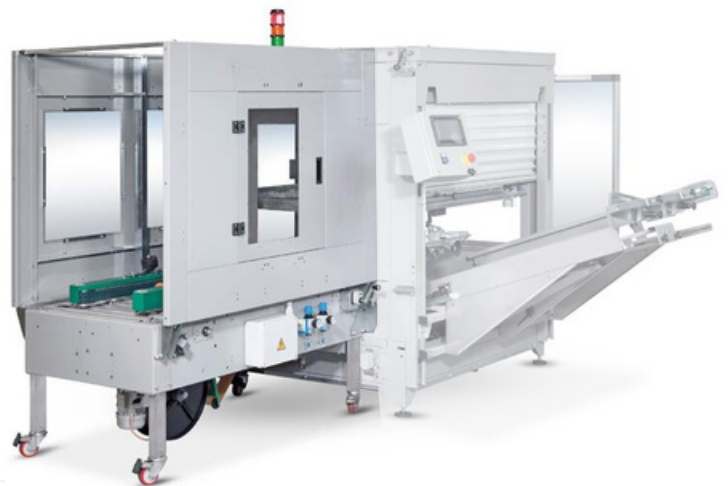
Featuring a taping head with an autonomous water tank for normal and reinforced gummed paper tape

AVERAGE PRODUCTION: 420 boxes/hour

BOX TRANSFER SPEED: 18 metres/minute

BOX LOADER UNIT CAPACITY: 110 boxes

*When using water activated tape, technical specifications should be reaffirmed



HOT MELT - USING HOT MELT GLUE TO SEAL CARTONS

Featuring a heated glue gun, the sealer melts sticks of glue and applies them to the box flaps. The glue then cools and hardens, creating a secure seal.

*When using hot melt, technical specifications should be reaffirmed.

FROMM | PACKAGING AUSTRALIA

www.fromm-pack.com.au | 1800 940 356 | info@fromm-pack.com.au