

FROMM FSM-15 Semi Automatic Strapping Machine

The FROMM FSM-15 is a simple semi-automatic strapping machine ideally suited to warehouses with low to medium volume. The FSM-15 Strapping Machine can easily strap two or three boxes in to one secure parcel, reducing handling and freight costs.



FROMM
ADVANTAGE

← →
6-15mm

15-45kg

Manual
Start

240 V


Polypropylene (PP) Strap

For optimal strapping efficiency we recommend our range of Polypropylene machine strap. Talk to our friendly staff today!

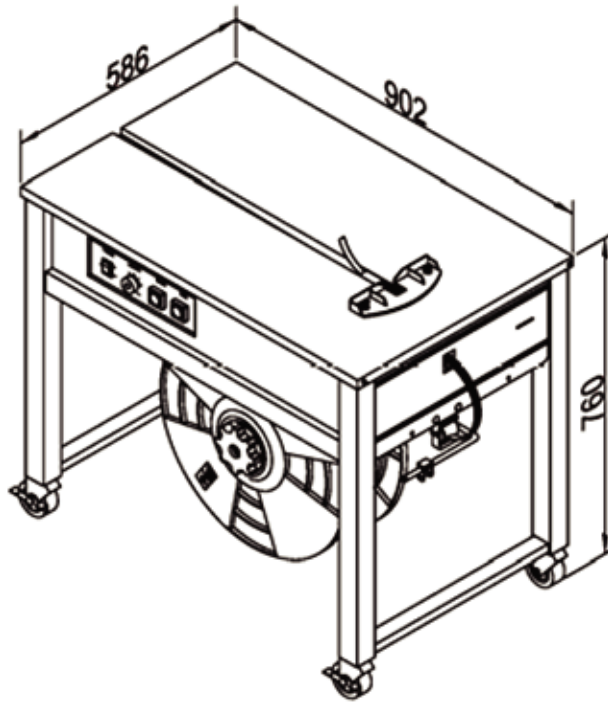


★ Features

- Open design & portable
- Safety limit switch included
- Hinged stainless top plate
- Rigid castors with brake

+ Benefits

- Easy to use
- Adjustable strap tension to accommodate different parcels
- Adjustable strap length to minimise wastage
- Automatic motor stop to save energy
- FROMM 2 year warranty



★ Technical Specifications

Capacity:

Single strap, seconds/strap up to: 2.5

Bundles:

Min. Width (mm): 80

Max. bundle width unlimited based on practicality

Min. Height (mm): 20

Max. bundle height unlimited based on practicality

Max. Weight (kg): 100

Strap Tension:

Adjustable

Max. Tension at bundle (kg): 45

Strapping Material:

Polypropylene

Width (mm): 6 - 15

Thickness (mm): 0.4 - 0.65

Sealing Method:

Heat seal

Power Supply:

240V, Single Phase, 50 Hz

Power Consumption:

Power consumption approx. (kW): 0.5

Weight:

Total weight approx. (kg): 85

Operating Conditions:

Temperature range (°C): 5 - 40

FROMM | PACKAGING
AUSTRALIA

Australia Wide

T 1800 023 890

E info@fromm-pack.com.au

W www.fromm-pack.com.au